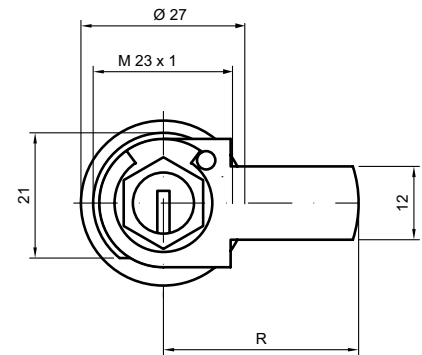
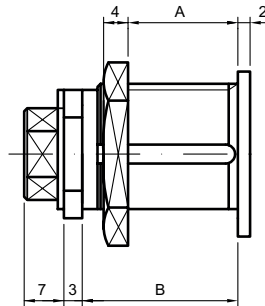


## 81818

### Locking cylinder



#### Product profile

for industrial, swimming pool and railway cabinets and lockers, as well as mailboxes and in apparatus construction

#### Standard version

Satin nickel plated brass cylinder  
 Bolt 81817/400 R = 40 mm, nickel plated steel  
 90° locking movement  
 Key removable in open and closed position, right-handed rotation (as illustrated)

#### Package

- 1 M23 x 1 fixing nut

#### 81818 · ① · ② · ③ · ④

① Fixing	② Length	③ Bolt	④ Colour A
<b>0 Standard</b>	<b>25 mm</b>	<b>xxxx</b> according to the table	<b>0 Satin nickel plated</b>
1 For glass mounting	30 mm		1 Polished nickel plated
			2 Polished brass
			3 Satin chrome plated
			4 Polished chrome plated
			5 Black
			6 Antique
			7 Bronzed
			8 Chemically nickel plated