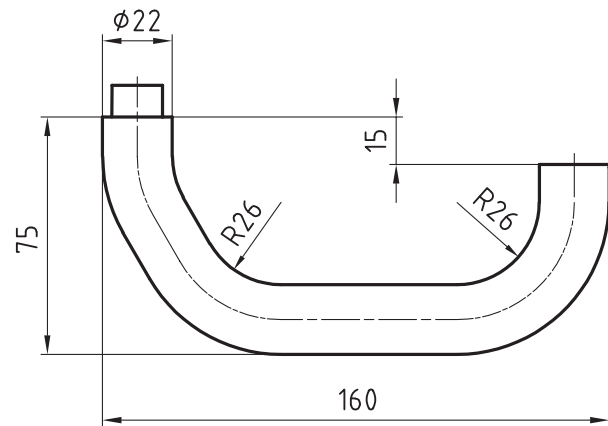


5176 Hamburg

Stainless steel metal frame lever handle



Picture shows handle with 5618C rose

Standard version

Lever handle Length: 160 mm, Ø 22 mm

Projection: 75 mm

Square spindle 8 mm

Satin stainless steel

16 mm guide for Glutz glide / easyfix

Options

Polished stainless steel

RAL lacquered

PVD lacquered

Square spindle 8,5 mm or 9 mm

16 mm guide for Glutz twin glide

Category of use class 4, EN 1906: 2002-05

Standards

Category of use class 3, EN 1906: 2002-05

Tested for use in fire-rated and smoke protection doors to
DIN 18273: 1997 - 12

Admitted, combined with the appropriate lock as lever handle for
emergency exits as per EN 179: 2002-06

5176 · 1 · 2 · 3 · 4 · 5 · 6

1 Execution	2 Guide	3 Spindle	4 Bolt length	5 Spindle material	6 Surface
00 Lochteil	0 glide	80 8 mm	00 Without	0 Without	00 Stainless steel matt
10 Stifteil	1 twin glide	85 8,5 mm	01 72 mm	1 Galvanized steel	11 Stainless steel polished
50 Paar		90 9 mm	08 89 mm	2 Stainless steel	44 Antibacterial
			99 On request		51 RAL 9005 black matt
					99 On request