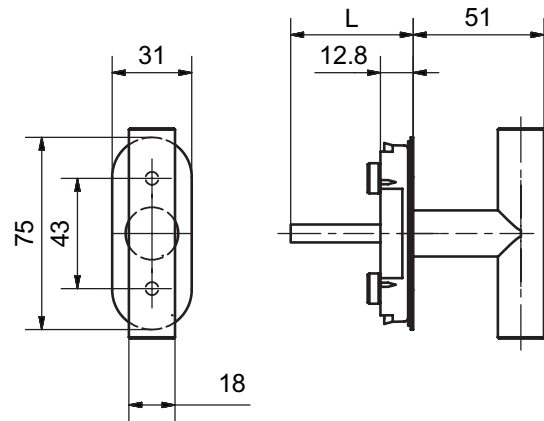


5715/51105 PF

Stainless steel window turn flush mounted



Standard version

Window turn 82 mm, Ø 18 mm
 Satin stainless steel
 4 x 90° stop
 Left / right applicable
 Square spindle 7 x 38 mm
 Window roses: 75 x 31 x 12 mm
 Projection: 52 mm
 Fixing centres 43 mm
 Studs Ø 9,5 / 12 mm
 Suitable for all tilt and turn systems

Options

Length: of square spindle 7 x 24, 32, 35, 40 mm (other spindle lengths upon request)

5715/51105 PF · ① · ②

① Bolt length

② Surface

024 24mm

00 Stainless steel matt

032 32mm

11 Stainless steel polished

035 35mm

44 Antibacterial

038 38 mm

51 RAL 9005 black matt

040 40mm

99 On request