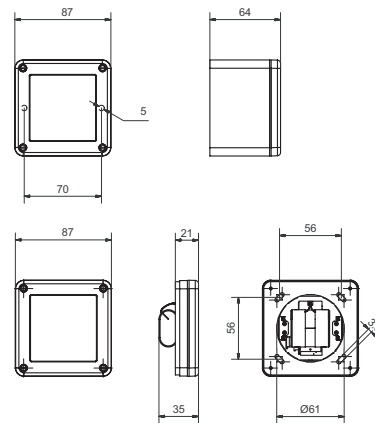
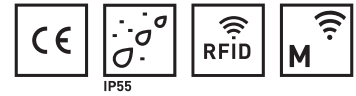


82410 E-reader RFID battery

Surface-mounted/flush-mounted for outdoors



Product profile

RFID reader for outdoor use. The reader are available as Feller Design (IP55) available

Standard version

- Identification via RFID Mifare DESfire EV 1 (ISO 14443A)
- Glutz Wireless Access communication (868 MHz)
- Feller Design IP55
- Surface-mounted/flush-mounted 1-piece
- Dimensions 87 x 87 mm
- Battery mode

Scope of supply

- E-reader
- Quick guide
- Battery pack

82410 · ① · ② · ③ · ④

| ① Power supply | ② AP-housing | ③ UP Frame | ④ Front |
|---------------------------|-------------------------|-----------------------|----------------------|
| 00 Lithium Battery | 10 Black IP55 | 00 No UP Frame | 10 Black IP55 |
| | 11 White IP55 | 10 Black IP55 | 11 White IP55 |
| | 00 No AP-Housing | 11 White IP55 | |