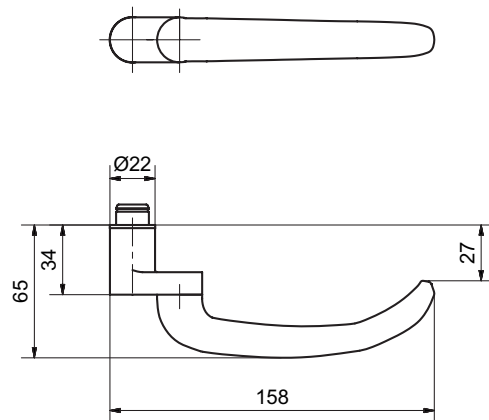


5038V Lugano

Stainless steel metal frame lever handle



Product profile

Commercial buildings, administrative centres and superior quality residential developments

Standard version

Lever handle Length: 158 mm, Ø 22 mm
 Projection: 65 mm
 Square spindle 9 mm
 Stainless steel
 16 mm guide for Glutz glide / easyfix

Options

Polished stainless steel
 RAL lacquered
 PVD lacquered
 Square spindle 8 mm or 8,5 mm
 16 mm guide for Glutz twin glide
 Category of use class 4, EN 1906: 2002-05
 For spring retention with plate 5219X

Standards

Category of use class 4, EN 1906: 2002-05
 Tested for use in fire-rated and smoke protection doors to DIN 18273: 1997 - 12
 Admitted, combined with the appropriate lock as lever handle for emergency exits as per EN 179: 2002-06

5038V · 1 · 2 · 3 · 4 · 5 · 6

1 Execution	2 Guide	3 Spindle	4 Bolt length	5 Spindle material	6 Surface
00 Lochteil	0 glide	80 8 mm	00 Without	0 Without	00 Stainless steel matt
10 Stifteil	8 twin halbauswärts	85 8,5 mm	06 84 mm	1 Galvanized steel	11 Stainless steel polished
50 Paar		90 9 mm	12 109 mm	2 Stainless steel	44 Antibacterial
			17 130 mm		51 RAL 9005 black matt
			99 Auf Anfrage		99 On request