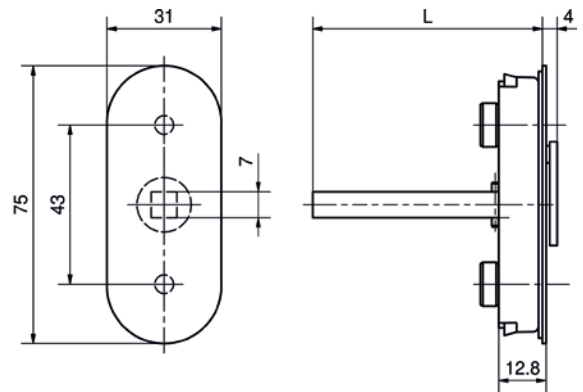


51105 DFV

Spindle rose flush with cover



Standard version

Satin stainless steel
 4 x 90° raster
 Left / right applicable
 Square spindle 7 x 38 mm
 75 x 31 x 13 mm
 Fixing centres 43 mm
 Studs Ø 9,5 / 12 mm
 Suitable for all tilt and turn systems
 With cover

Options

Polished stainless steel
 RAL lacquered
 PVD lacquered
 Length: of square spindle 7 x 24, 32, 35, 40 mm (other spindle
 Lengths: upon request)

51105 DFV · ① · ②

① Bolt length

024 24mm
026 26mm
032 32mm
035 35mm
038 38 mm
040 40mm

② Surface

00 Stainless steel matt
11 Stainless steel polished
44 Antibacterial
51 RAL 9005 black matt
99 On request