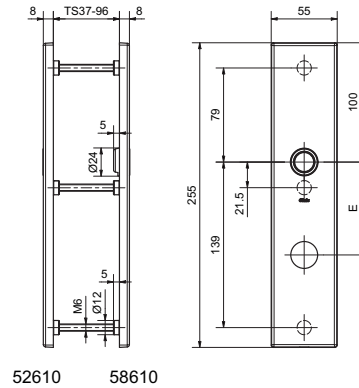


## 52610

### Stainless steel long plate to clips



#### Product profile

The long plate is suitable for large, heavy and heavily used doors with door closers. The solid base plate and the continuous screw connection provide a particularly high level of stability for doors where a split spindle is used for panic locks.

#### Standard version

- Surface satin stainless steel
- Outer plate with 3 thread cams M6
- Inner plate with 3 mounting cams M6
- Can be combined with all Glutz lever handles
- 16 mm Glutz glide bearing, tested for 2.5 million cycles
- Dimensions: 255 x 55 x 8 mm

#### Options

- Fixed-rotating mounting with easyfix
- 16 mm Glutz twin glide bearing with easyfix
- Spring holder FEHO to secure the handle position

#### Important note

- Screw set 59200 must be ordered separately
- When ordering individually, the inside escutcheon 58540 must be ordered to match
- Glutz twin glide bearing only with easyfix
- Pair of knobs: inside escutcheon with glide bearing and easyfix as standard
- Pair of levers: inside escutcheon features identical to outside
- Toilet opening on the outside with coin emergency release and without indicator. Suitable for door thickness of 37-43 mm. Only available as a pair and in Glutz glide or Glutz twin glide in the

#### 52610 · ① · ② · ③ · ④ · ⑤ · ⑥ · ⑦

① Execution	② Guide	③ Mounting fixe   FEHO	④ Guide sleeve	⑤ Cutout	⑥ Centres	⑦ Surface
1 Pair	0 glide	0 ohne	6 3 x M6	00 without	00 ohne	00 Stainless steel matt
2 Piece   thread cams	1 twin glide	1 easyfix		02 RZ	72 72 mm	11 Stainless steel polished
	2 Buttonhole	2 easyfix   FEHO 8 mm		03 PZ	74 74 mm	44 Antibacterial
	5 glide ab Ø 23 mm	3 easyfix   FEHO 8,5 mm		47 WC 7 mm	78 78 mm	51 RAL 9005 black matt
	9 blind	4 easyfix   FEHO 9 mm		48 WC 8 mm	88 88 mm	99 On request
					90 90 mm	
					92 92 mm	
					94 94 mm	