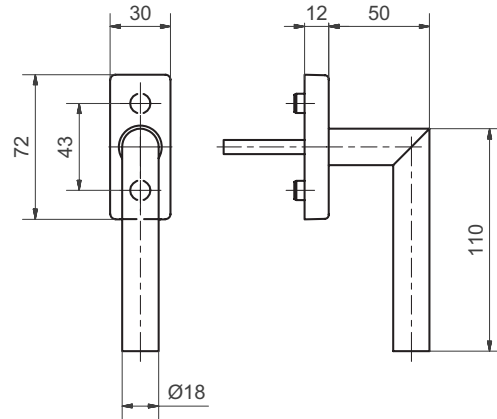


50007/51002 CF

Stainless steel window handle



Product profile

Commercial buildings, administrative centres and superior quality residential developments

Standard version

Satin stainless steel surface, Ø 18 mm

Handle length 110 mm

Handle projection 50 mm

Total projection 62 mm

4 x 90° ball stop

Square spindle 7 x 38 mm

Fixing centres 43 mm

Studs Ø 9.5/12 mm

Clip-on rose 51002 CF

72 x 30 x 12 mm

Important note

Fixed mobile mounting on rose, concealed screws

M5 screws must be ordered separately

50007/51002 CF · ① · ②

① Bolt length

024 24mm

026 26mm

032 32mm

035 35mm

038 38 mm

040 40mm

099 On request

② Surface

00 Stainless steel matt

11 Stainless steel polished

44 Antibacterial

51 RAL 9005 black matt

99 On request