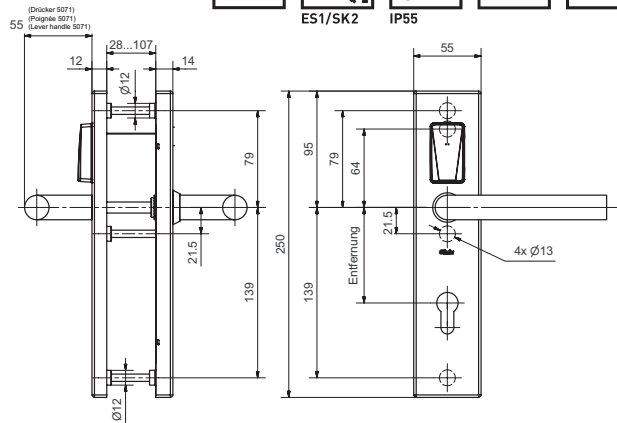
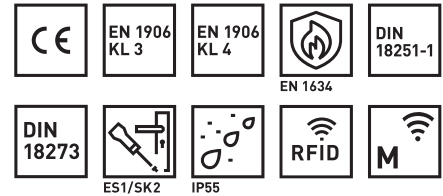


80140 E Protection Fitting

Private - ES1



Product profile

Battery-operated electronic security plate for interior and exterior solid-leaf doors. Opening and closing from outside take place with contact-free reading of the RFID medium. The doors are opened or closed from the interior by pressing the electronic button integrated in the fitting. Mechanical emergency opening from the interior.

Standard version

- For DIN left-hand/right-hand doors
- Identification via RFID Mifare DESfire EV 1 (ISO 14443A)
- Programming via media or wireless access (868 MHz)
- Exterior lever handle engaged, lever handle blocked

Scope of supply

- E-fitting
- Lever handle pair incl. square spindle
- Screw set
- 4 x AAA lithium battery
- Quick guide

Standards

- Tested to DIN 18257-ES1-L (2003-03)
- EN 1906 resistance class 2 (2002-05)
- For burglar resistant doors according to ENV1627 - 1630 WK 1+2 (1999-01)

80140 · 1 · 2 · 3 · 4 · 5 · 6 · 7 · 8 · 9

- 1 Power supply 2 Cut-out outs. 3 Cut-out ins. 4 Distance 5 Lever handle design 6 Square spindle 7 Surface 8 Door thickness 9 Protection rose

00 Lithium Battery	0 Blind	00 Blind	11 5057 Thun	8 8 mm	00 Satin stainless steel	11 28 to 37 mm	00 Blind
11 External, bus	2 RZ	70 70 mm	12 5062 New Orleans	9 9 mm	11 Polished stain. steel	12 38 to 47 mm	31 ES 1 RZ 06-10 mm
	3 PZ	72 72 mm	13 5064 Oslo		22 Polished brass	13 48 to 57 mm	32 ES 1 RZ 10-14 mm
	4 PRZ	74 74 mm	14 5066 Savannah		33 Satin brass	14 58 to 67 mm	33 ES 1 RZ 14-18 mm
		78 78 mm	15 5071 Memphis		44 Anti-bacterial	15 68 to 77 mm	34 ES 1 RZ 18-22 mm
		85 85 mm	16 5087 Basel		51 RAL 9005 black matt	16 78 to 87 mm	35 ES 1 RZ 22-26 mm
		88 88 mm	17 5098 Olten		55 Wrought iron look	17 88 to 97 mm	36 ES 1 RZ 26-29 mm
		90 90 mm	18 5038 Lugano		99 Spec. execution	18 98 to 107 mm	41 ES 1+3 ZA 9-16 mm
		92 92 mm	35 5040 Merkur				
		94 94 mm	37 50040 Merkur				
			40 50070 Appenzell				
			41 50071 Appenzell				
			99 Spec. execution				

RZ: 74, 78, 90, 94 mm; PZ: 70, 72, 78, 85, 88, 90, 92 mm; PRZ: 74, 78, 90, 94 mm