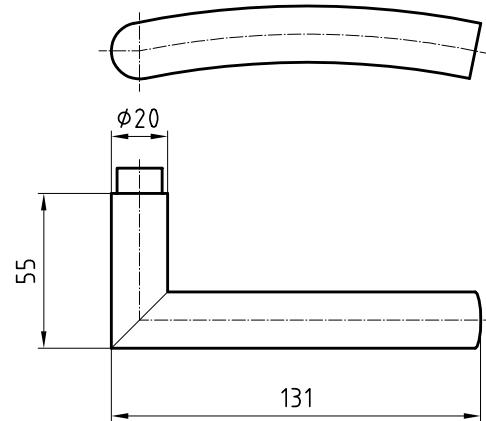


## 5076 Helena Stainless steel lever handle



Picture shows handle with 5620C rose

### Product profile

Commercial buildings, administrative centres and superior quality residential developments

Square spindle 8,5 mm or 9 mm  
16 mm guide for Glutz twin glide  
Category of use class 4, EN 1906: 2002-05

### Standard version

Lever handle Length: 131 mm, Ø 20 mm  
Projection: 55 mm  
Square spindle 8 mm  
Satin stainless steel  
Handing to be specified  
16 mm guide for Glutz glide / easyfix

### Options

Polished stainless steel  
RAL lacquered  
PVD lacquered

### 5076 · ① · ② · ③ · ④ · ⑤ · ⑥

① 1021_Äusführung	② Guide	③ 1020_Vierkant	④ 1022_Stiftlänge	⑤ 1312_Material Vierkant	⑥ Surface
01 Lochteil links	0 glide	80 8 mm	00 00	0 ohne Vierkant	00 Stainless steel matt
02 Lochteil rechts	1 twin	85 8,5 mm	06 84 mm	1 Stahl verzinkt	11 Stainless steel polished
11 Stifteil links		90 9 mm	12 109 mm	2 Edelstahl	44 Antibacterial
12 Stifteil rechts			99 Auf Anfrage		51 RAL 9005 black matt
52 Paar Stifteil links					99 On request
53 Paar Stifteil rechts					