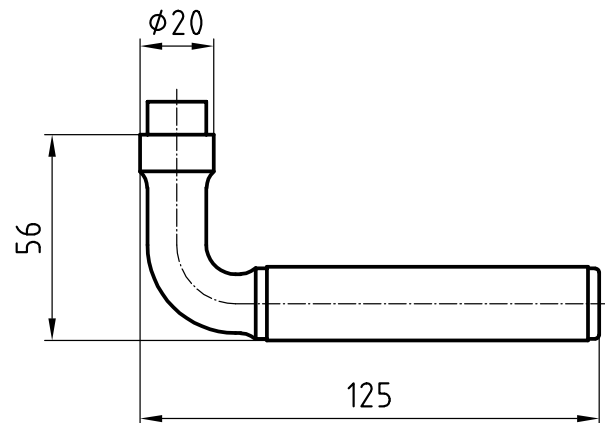


## 5087 INOX Basle

Stainless steel lever handle



Picture shows handle with 5620C rose

### Product profile

Commercial buildings, administrative centres and superior quality residential developments

### Standard version

Lever handle Length: 125 mm, Ø 20 mm

Projection: 56 mm

Square spindle 8 mm

Solid satin stainless steel shoulder

Satin stainless steel tube

16 mm guide for Glutz glide / easyfix

### Options

Polished stainless steel shoulder

Square spindle 8,5 mm or 9 mm

16 mm guide for Glutz twin glide

Version for narrow stile doors

Category of use class 4, EN 1906: 2002-05

Tubes available in:

Polished stainless steel

Stainless steel PVD-coated, brass coloured

Stainless steel RAL-coated, in accordance with colour chart

5087 · ① · ② · ③ · ④ · ⑤ · ⑥ · ⑦

① 1021_Ausführung	② Guide	③ 1020_Vierkant	④ 1022_Stiftlänge	⑤ 1312_Material Vierkant	⑥ Surface	⑦ 1025_Oberfläche Hülse
00 Lochteil	0 glide	80 8 mm	00 00	0 ohne Vierkant	00 Stainless steel matt	00 Edelstahl matt
10 Stiftteil	1 twin	85 8,5 mm	04 79 mm	1 Stahl verzinkt	11 Stainless steel polished	11 Edelstahl poliert
50 Paar		90 9 mm	10 104 mm	2 Edelstahl	44 Antibacterial	44 Antibakteriell
			99 Auf Anfrage		51 RAL 9005 black matt	67 RAL 9010 weiss
					99 On request	68 RAL 9011 schwarz
						99 Auf Anfrage