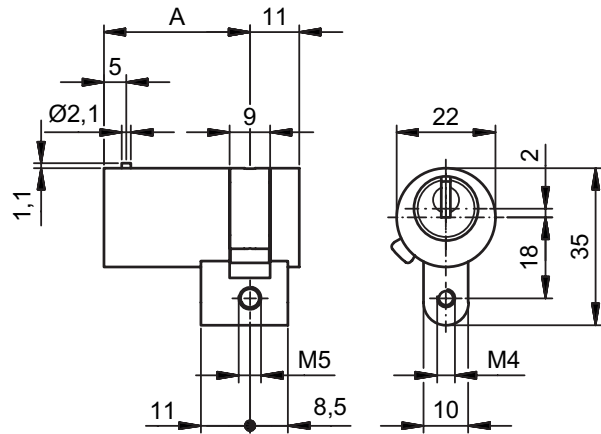




81076

Half cylinder RZ with contact pin



Product profile

Half cylinder with contact pin for lift doors. The contact pin is pushed upwards when the key is inserted.

Standard version

Satin nickel plated brass
Cam (S) reversible 8 x 45°

Scope of supply

- 1 Fixing screw 81540.75

Important note

Drill protection class «D» according to EN 1303: 2015

81076 · 1 · 2 · 3 · 4

| 1 Version | 2 Length A | 3 Colour A | 4 Security |
|-------------------------------------|----------------|-----------------------------------|---------------------------|
| S Standard cam | 32,5 mm | 0 Satin nickel plated | 0 Standard |
| L Follower freewheeling 270° | 37,5 mm | 1 Polished nickel plated | 1 Drill protection |
| T Follower freewheeling 90° | 42,5 mm | 2 Polished brass | |
| | 47,5 mm | 3 Satin chrome plated | |
| | 52,5 mm | 4 Polished chrome plated | |
| | 57,5 mm | 5 Black | |
| | 62,5 mm | 6 Antique | |
| | 67,5 mm | 7 Bronzed | |
| | 72,5 mm | 8 Chemically nickel plated | |
| | 77,5 mm | | |
| | 82,5 mm | | |