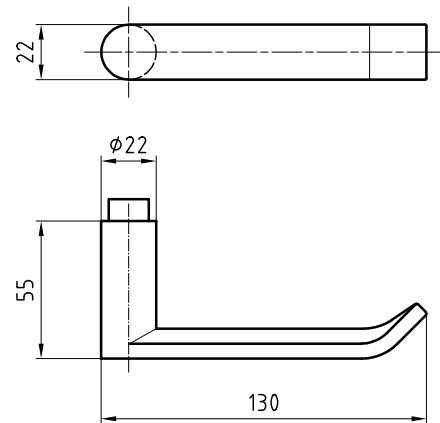


5088 Zurich Stainless steel lever handle



Picture shows handle with 5620C rose

Product profile

Banks, commercial buildings, administrative centres

Standard version

Lever handle Length: 130 mm, Ø 22 mm

Projection: 55 mm

Square spindle 8 mm

Solid satin stainless steel

16 mm guide for Glutz glide / easyfix

16 mm guide for Glutz twin glide

Version for narrow stile doors

Category of use class 4, EN 1906: 2002-05

Options

Polished stainless steel

RAL lacquered

PVD lacquered

Square spindle 8,5 mm or 9 mm

5088 · ① · ② · ③ · ④ · ⑤ · ⑥

① 1021_Ausführung	② Guide	③ 1020_Vierkant	④ 1022_Stiftlänge	⑤ 1312_Material Vierkant	⑥ Surface
00 Lochteil	0 glide	80 8 mm	00 00	0 ohne Vierkant	00 Stainless steel matt
10 Stiftteil	1 twin	85 8,5 mm	06 84 mm	1 Stahl verzinkt	11 Stainless steel polished
50 Paar		90 9 mm	12 109 mm	2 Edelstahl	44 Antibacterial
			99 Auf Anfrage		51 RAL 9005 black matt
					99 On request