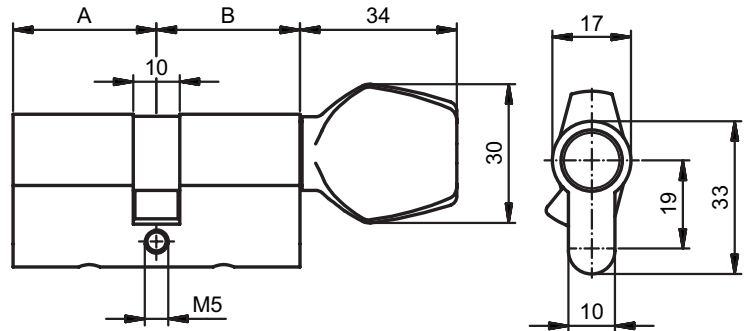


81154

Thumbturn cylinder PZ one side blank



Product profile

Blank on one side,
For locking the cylinder cutout in the lock and fitting
on one side. e.g. for renovations or changes to the door
functionality

Standard version

Satin nickel plated brass

Scope of supply

- 1 Fixing screw 81540.75

81154 · ① · ② · ③ · ④ · ⑤ · ⑥ · ⑦

① Version

② Length A

③ Length B

④ Colour A

⑥ Security

⑦ Thumbturn

⑤ Colour B

Version	Length A	Length B	Colour A	Colour B	Security	Thumbturn
S Standard cam	31 mm	31,0 mm	0 Satin nickel plated		0 Standard	0 Glutz design
M Cog wheel cam	36 mm	36,0 mm	1 Polished nickel plated		1 Drill protection	1 Round
	41 mm	41,0 mm	2 Polished brass			
	46 mm	46,0 mm	3 Satin chrome plated			
	51 mm	51,0 mm	4 Polished chrome plated			
	56 mm	56,0 mm	5 Black			
	61 mm	61,0 mm	6 Antique			
	66 mm	66,0 mm	7 Bronzed			
	71 mm	71,0 mm	8 Chemically nickel plated			
	76 mm	76,0 mm				
	81 mm	81,0 mm				