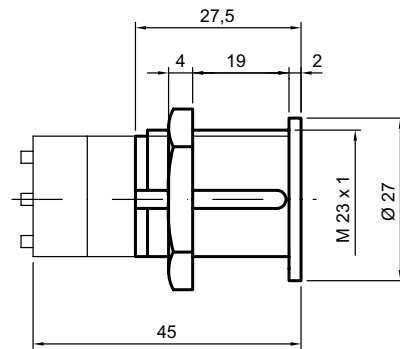
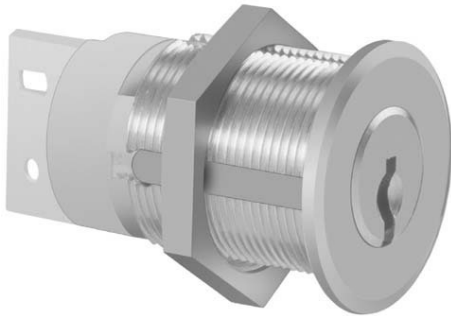


81238

Switch cylinders



Product profile

for installation in switch panels

Standard version

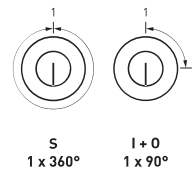
Satin nickel plated brass cylinder

Key removable in one position

Switch with 3 soldered connections

Scope of supply

- 1 M23 x 1 fixing nut



81238 · ① · ②

① Removal position

S 1 x 360°

I Momentary

O 1x90° without spring return

② Colour A

0 Satin nickel plated

1 Polished nickel plated

2 Polished brass

3 Satin chrome plated

4 Polished chrome plated

5 Black

6 Antique

7 Bronzed

8 Chemically nickel plated