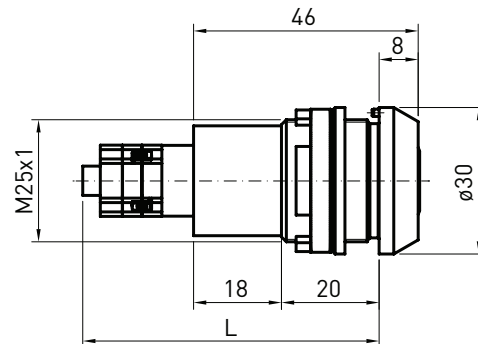


## 81241 Switch cylinders



### Product profile

for installation in switch panels

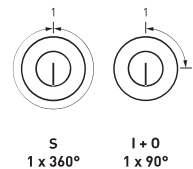
### Standard version

Satin nickel plated brass cylinder

Anodised aluminium housing

Key removable in one position

2 switch elements



### 81241 · ① · ②

① Removal position

② Switch elements

**S** 1 x 360°

**01** 1

**I** Momentary

**02** 2

**O** 1x90° without spring return

**03** 3

**04** 4