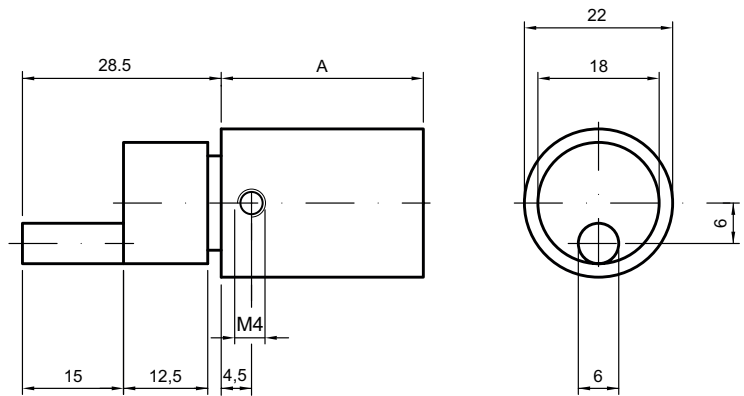


81845

Central locking cylinder



Product profile

for all types of furniture

Scope of supply

- 1 x M4 x 5 mm fixing screw

Standard version

Satin nickel plated brass cylinder

Cam rotation 180°

Key rotation 360°

3 threaded holes (right, left, bottom)

81845 · ① · ② · ③

① Removal position

② Cylinder length

③ Colour A

① Removal position	② Cylinder length	③ Colour A
S 1 x 360°	30 mm	0 Satin nickel plated
	35 mm	1 Polished nickel plated
	40 mm	2 Polished brass
	45 mm	3 Satin chrome plated
	50 mm	4 Polished chrome plated
		5 Black
		6 Antique
		7 Bronzed
		8 Chemically nickel plated