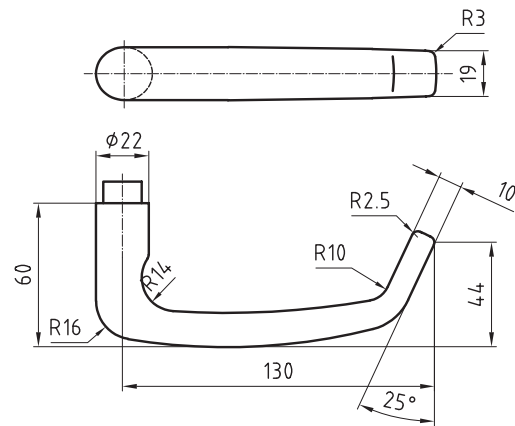


## 5096 Baar

### Stainless steel lever handle



Picture shows handle with 5620C rose

#### Product profile

Commercial buildings, administrative centres and superior quality residential developments

#### Standard version

Lever handle Length: 141 mm, Ø 22 mm  
 Projection: 60 mm  
 Square spindle 8 mm  
 Solid satin stainless steel  
 16 mm guide for Glutz glide / easyfix

#### Options

Polished stainless steel  
 RAL lacquered  
 PVD lacquered  
 Square spindle 8,5 mm or 9 mm  
 16 mm guide for Glutz twin glide  
 Version for narrow stile doors  
 Category of use class 4, EN 1906: 2002-05

#### Standards

Category of use class 3, EN 1906: 2002-05  
 Tested for use in fire-rated and smoke protection doors to  
 DIN 18273: 1997 - 12  
 Admitted, combined with the appropriate lock as lever handle for  
 emergency exits as per EN 179: 2002-06

### 5096 · 1 · 2 · 3 · 4 · 5 · 6

1 1021_Ausführung	2 Guide	3 1020_Vierkant	4 1022_Stiftlänge	5 1312_Material Vierkant	6 Surface
00 Lochteil	0 glide	80 8 mm	00 00	0 ohne Vierkant	00 Stainless steel matt
10 Stifteil	1 twin	85 8,5 mm	06 84 mm	1 Stahl verzinkt	11 Stainless steel polished
50 Paar		90 9 mm	12 109 mm	2 Edelstahl	44 Antibacterial
			99 Auf Anfrage		51 RAL 9005 black matt
					99 On request