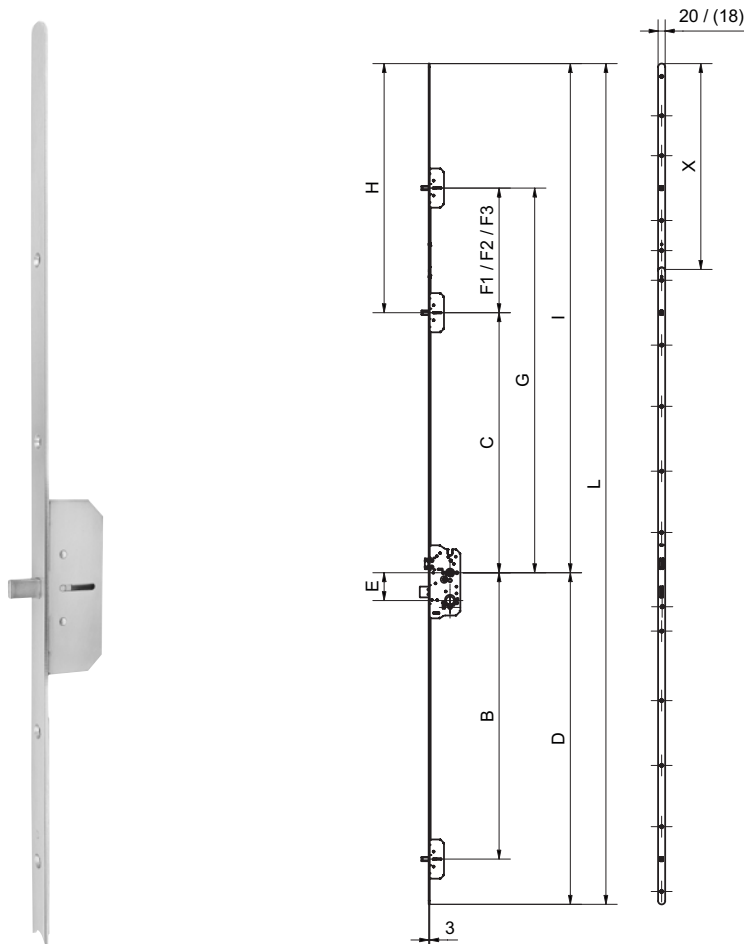




11350 / 11550 / 11800 Radiussed forend extension

Radiussed forend extension with additional lock for MINT locks



E	B	C	D
72	740	750	867
78	804	730	931
88	875	765	980
92	760	730	887

F1 = 350 (11350)					
E	G	H	I	L	X
72	1100	700	1450	2317	578.5
78	1080	700	1430	2361	578.5
88	1115	700	1465	2445	600.5
92	1080	700	1430	2317	578.5

F2 = 550 (11550)					
E	G	H	I	L	X
72	1300	900	1650	2517	778.5
78	1280	900	1630	2561	778.5
88	1315	900	1665	2645	800.5
92	1280	900	1630	2517	778.5

F3 = 800 (11800)					
E	G	H	I	L	X
72	1550	1150	1900	2767	1028.5
78	1530	1150	1880	2811	1028.5
88	1565	1150	1915	2895	1050.5
92	1530	1150	1880	2767	1028.5

Product profile

The radiussed forend extension for the MINT multipoint locking devices. Consequently door manufacturers have the option to also equip tall doors with MINT technology. Thanks to the simple, plug-in design assembly is very easy.

Standard version

- Product number 11350: length 350 mm
- Product number 11550: length 550 mm
- Product number 11800: Length 800 mm
- Matt stainless steel 20 x 3 mm

Order note:

The radiussed forend extension must be ordered to match the distance E (72, 78, 88, 92); e.g.: 11350/78

Options

Matt stainless steel 18 x 3 mm (PZ / RZ 78 mm versions only).

Standards

Tested and approved according to EN 179 and EN 1125 in conjunction with the MINT multipoint locks.

Important note

Please note the order supplement when ordering locks for use with radiussed forend extension.

e.g.: 1893 MINT SB «prepared for radiussed forend extension with additional lock»