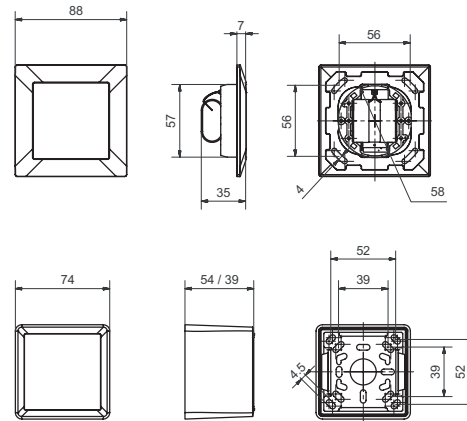




82210 E-reader RFID battery

Surface-mounted/flush-mounted for indoors



Product profile

RFID reader for indoor use.

The E-readers are available in attractive Feller EDIZIOdue (IP40) and can be combined with all switches, sockets and frames from the Feller assortment

Scope of supply

- E-reader
- Battery pack
- Quick guide

Standard version

- Identification via RFID Mifare DESfire EV 1 (ISO 14443A)
- Glutz Wireless Access communication (868 MHz)
- Feller Design IP40
- Surface-mounted 1-piece, dimensions 74 x 74 mm, 39/54 mm high
- Flush-mounted 1-piece, dimensions 88 x 88 mm (plastic), 94 x 94 mm (others)
- Battery mode

82210 · ① · ② · ③ · ④

① Power supply	② AP-housing	③ UP Frame	④ Front
00 Lithium Battery	60 Black IP40 (54 mm)	00 No UP Frame	60 Black IP40
	61 White IP40 (54 mm)	60 Plastic black IP40	61 White IP40
	30 Black IP40 (39 mm)	61 Plastic white IP40	
	31 White IP40 (39 mm)	70 Satin stainless steel IP40	
	00 No AP-Housing	71 Polished stainless steel IP40	
		82 Black gold polished IP40	
		81 Aluminium white IP40	
		90 Glass white IP40	