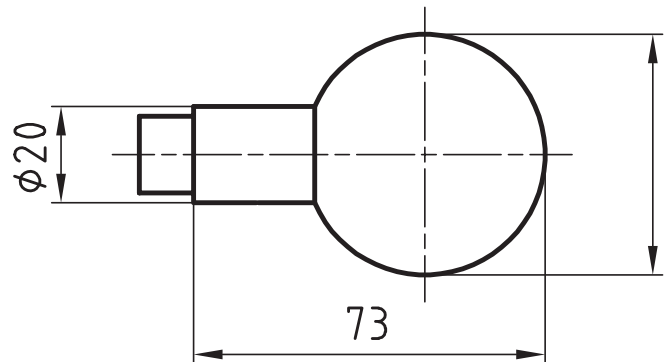
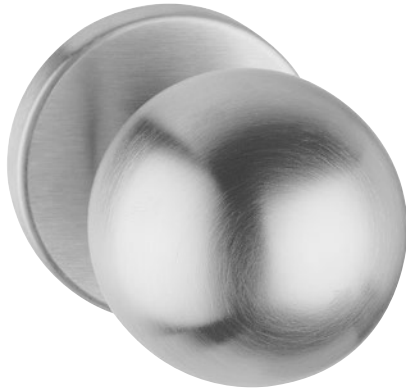


5825

Stainless steel door knob



Picture shows handle with 5620C rose

Standard version

Ø 50 mm

Projection: 73 mm

16 mm guide for fixing dead

Inside thread M10

Satin stainless steel

Options

Polished stainless steel

Ø 60 mm, Projection: 83 mm

RAL lacquered

PVD lacquered

16 mm guide for Glutz glide / easyfix

Prepared for 8 mm, 8,5 mm or 9 mm square spindle

5825 · ① · ② · ③

① 1050_Durchmesser

② 1051_Anpass

③ Surface

50 50 mm

10 Festknopf hochoval

00 Stainless steel matt

60 60 mm

85 Drehbar | 8.5 mm Vierkant

11 Stainless steel polished

90 Drehbar | 9 mm Vierkant

44 Antibacterial

51 RAL 9005 black matt

99 On request