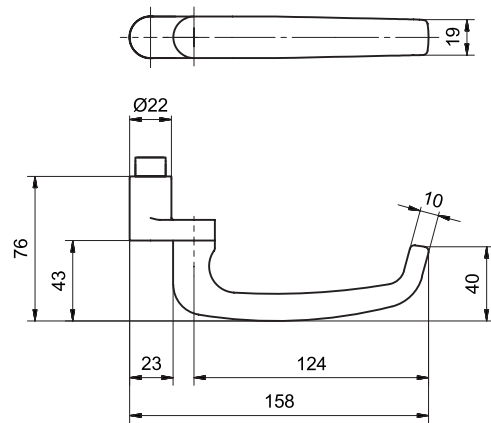


6046 Cham

Stainless steel metal frame lever handle



Picture shows handle with 5618C rose

Product profile

Commercial buildings, administrative centres and superior quality residential developments

16 mm guide for Glutz twin glide

Category of use class 4, EN 1906: 2002-05

For spring retention with plate 5219X

Standard version

Lever handle Length: 158 mm, Ø 22 mm

Projection: 76 mm

Square spindle 8 mm

Solid satin stainless steel

16 mm guide for Glutz glide / easyfix

Options

Polished stainless steel

RAL lacquered

PVD lacquered

Square spindle 8,5 mm or 9 mm

6046 · ① · ② · ③ · ④ · ⑤ · ⑥

① Execution	② Guide	③ Spindle	④ Spindle length	⑤ Spindle material	⑥ Surface
00 Female half-set	0 glide	80 8 mm	00 Without	0 Without	00 Stainless steel matt
	1 twin glide	85 8,5 mm	08 89 mm	1 Galvanized steel	11 Stainless steel polished
		90 9 mm	99 On request	2 Stainless steel	44 Antibacterial
					51 RAL 9005 black matt
					99 On request