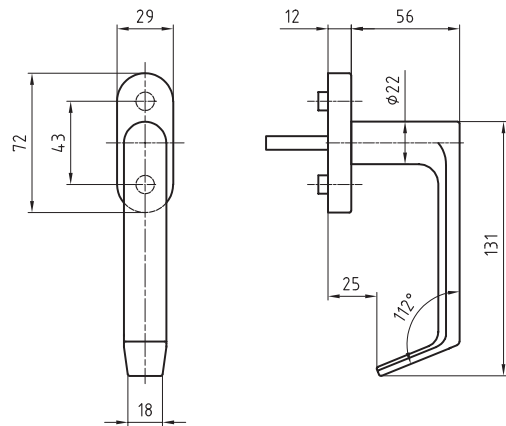


## 5092/5616 CF München

Stainless steel window handle



### Product profile

Commercial buildings, administrative centres and superior quality residential developments

### Standard version

Satin stainless steel surface,  $\phi 22$  mm

Handle length 131 mm

Handle projection 56 mm

Total projection 68 mm

4 x 90° ball stop

Square spindle 7 x 38 mm

Fixing centres 43 mm

Studs  $\phi 9.5/12$  mm

Clip-on rose 5616 CF

72 x 29 x 12 mm

### Important note

Fixed mobile mounting on rose, concealed screws

M5 screws must be ordered separately

### 5092/5616 CF · ① · ②

#### ① Bolt length

24 24mm

26 26mm

32 32mm

35 35mm

38 38 mm

40 40mm

99 On request

#### ② Surface

00 Stainless steel matt

11 Stainless steel polished

44 Antibacterial

51 RAL 9005 black matt

99 On request