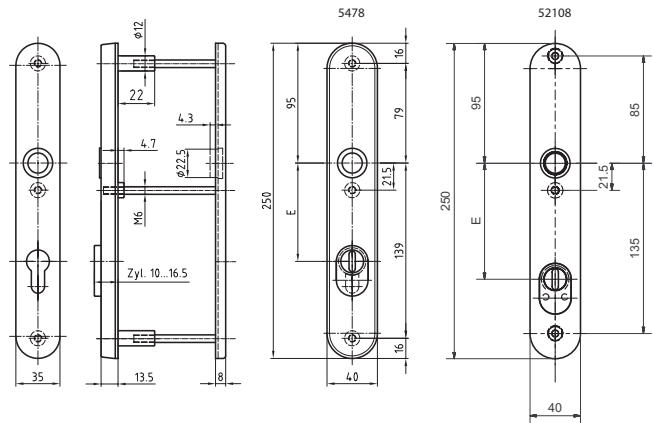


## 5478 | 52108

Stainless steel security plate ES 2 - PZ



### Product profile

For burglar resistant doors RC 3 according to EN 1627 - 1630: 2011

### Standard version

- Satin stainless steel
- 16 mm guide for Glutz glide
- Outer plate 250 x 40 x 13,5 mm
- Profile: cylinder cover 9 - 16 mm
- Inside plate 5363.3C 250 x 35 x 8 mm
- Centres
- PZ: 72 mm, 78 mm, 88 mm, 92 mm
- Fixing Centres
- 5477: 79 mm / 139 mm; 52107: 85 mm / 135 mm

### Options

Inside plate 5359

### Standards

ES2-L-ZA, DIN 18257: 2003-03  
Resistance class 3, EN 1906: 2010-09

### 5478 | 52108 · ① · ② · ③ · ④ · ⑤ · ⑥ · ⑦

① Execution	② Guide	③ Mounting fixe   FEHO	④ Guide sleeve	⑤ Cutout	⑥ Centres	⑦ Surface
6 Stück	0 glide 2 Buttonhole 4 twin glide auswärts	0 ohne 1 easyfix	6 3 x M6	02 RZ 03 PZ 08 PRZ	72 72 mm 74 74 mm 78 78 mm 92 92 mm 94 94 mm	00 Stainless steel matt 11 Stainless steel polished 44 Antibacterial 51 RAL 9005 black matt 99 On request