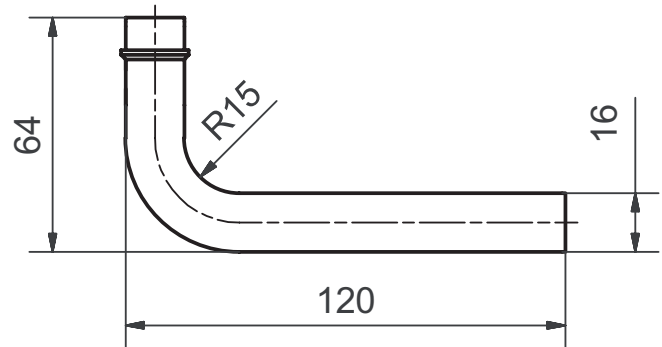


33005 Brienz Stainless steel lever handle



Picture shows handle with 5620C rose

Product profile

Residential developments

Standard version

Lever handle Length: 120 mm, Ø 16 mm

Projection: 64 mm

Square spindle 8 mm

Satin stainless steel

16 mm guide for Glutz glide

Options

Polished stainless steel

Square spindle 8,5 mm or 9 mm

33005 · ① · ② · ③ · ④ · ⑤ · ⑥

① 1021_Ausführung	② Guide	③ 1020_Vierkant	④ 1022_Stiftlänge	⑤ 1312_Material Vierkant	⑥ Surface
00 Lochteil	0 glide	80 8 mm	00 00	0 ohne Vierkant	00 Stainless steel matt
10 Stiftteil	1 twin	85 8,5 mm	02 73 mm	1 Stahl verzinkt	11 Stainless steel polished
50 Paar		90 9 mm	99 Auf Anfrage	2 Edelstahl	44 Antibacterial
					51 RAL 9005 black matt
					99 On request