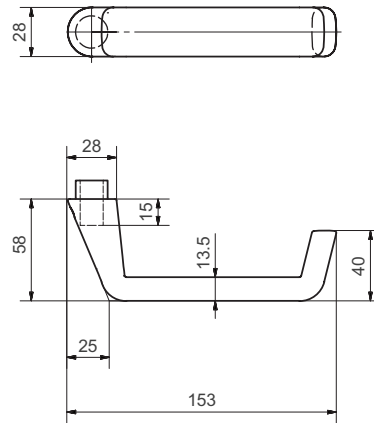


50061 Genève Stainless steel metal frame lever handle



Product profile

Public buildings, administrative buildings, upscale residential buildings

Standard version

Lever handle Length: 153 mm, Ø 28 mm
Projection: 58 mm
Square spindle 8 mm
Solid satin stainless steel
16 mm guide for Glutz glide, easyfix

Options

Square spindle 9 mm
16 mm guide for Glutz twin, usage category 4, EN 1906: 2002-05
For spring retention with plate 5219X

50061 · ① · ② · ③ · ④ · ⑤ · ⑥

① 1021_Ausführung	② Guide	③ 1020_Vierkant	④ 1022_Stiftlänge	⑤ 1312_Material Vierkant	⑥ Surface
00 Lochteil	0 glide	80 8 mm	00 00	0 ohne Vierkant	00 Stainless steel matt
10 Stiftteil	1 twin	85 8,5 mm	01 72 mm	1 Stahl verzinkt	11 Stainless steel polished
50 Paar		90 9 mm	06 84 mm	2 Edelstahl	44 Antibacterial
			08 89 mm		51 RAL 9005 black matt
			12 109 mm		99 On request
			99 Auf Anfrage		