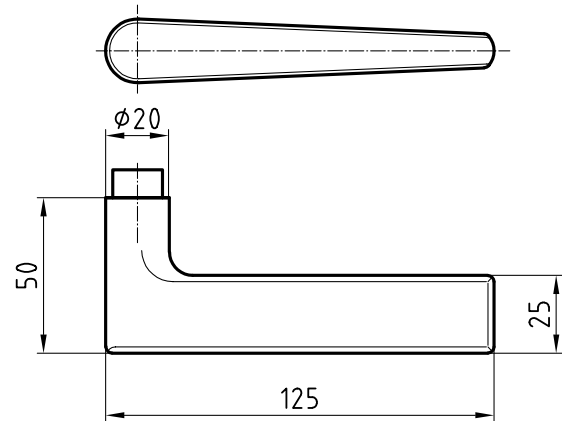
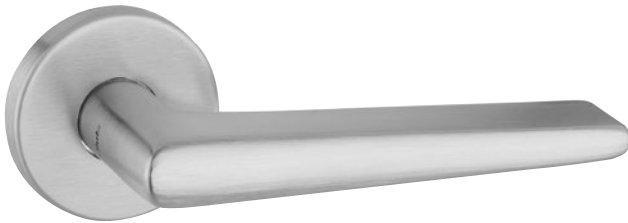


5036 Vienna Stainless steel lever handle



Picture shows handle with 5620C rose

Product profile

Commercial buildings, administrative centres and superior quality residential developments

16 mm guide for Glutz twin glide

Version for narrow stile doors 5036S

Category of use class 4, EN 1906: 2002-05

Standard version

Lever handle Length: 125 mm, Ø 20 mm

Projection: 50 mm

Square spindle 8 mm

Solid satin stainless steel

16 mm guide for Glutz glide / easyfix

Options

Polished stainless steel

RAL lacquered

PVD lacquered

Square spindle 8,5 mm or 9 mm

5036 · ① · ② · ③ · ④ · ⑤ · ⑥

① 1021_Ausführung	② Guide	③ 1020_Vierkant	④ 1022_Stiftlänge	⑤ 1312_Material Vierkant	⑥ Surface
00 Lochteil	0 glide	80 8 mm	00 00	0 ohne Vierkant	00 Stainless steel matt
10 Stiftteil	1 twin	85 8,5 mm	04 79 mm	1 Stahl verzinkt	11 Stainless steel polished
50 Paar		90 9 mm	06 84 mm	2 Edelstahl	44 Antibacterial
			10 104 mm		51 RAL 9005 black matt
			12 109 mm		99 On request
			99 Auf Anfrage		