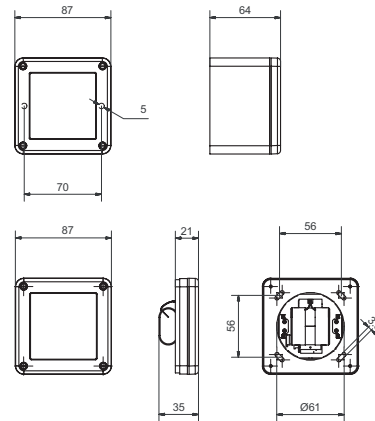
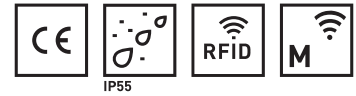


## 82400 E-reader RFID/code battery

Surface-mounted/flush-mounted for outdoors



### Product profile

RFID/code reader for outdoor use. The reader are available as Feller Design (IP55) available

### Standard version

- Identification via RFID Mifare DESfire EV 1 (ISO 14443A) and code
- Glutz Wireless Access communication (868 MHz)
- Feller Design IP55
- Surface-mounted/flush-mounted 1-piece
- Dimensions 87 x 87 mm
- Battery mode

### Scope of supply

- E-reader
- Quick guide
- Battery pack

82400 · ① · ② · ③ · ④

① Power supply	② AP-housing	③ UP Frame	④ Front
<b>00</b> Lithium Battery	<b>10</b> Black IP55	<b>00</b> No UP Frame	<b>10</b> Black IP55
	<b>11</b> White IP55	<b>10</b> Black IP55	<b>11</b> White IP55
	<b>00</b> No AP-Housing	<b>11</b> White IP55	