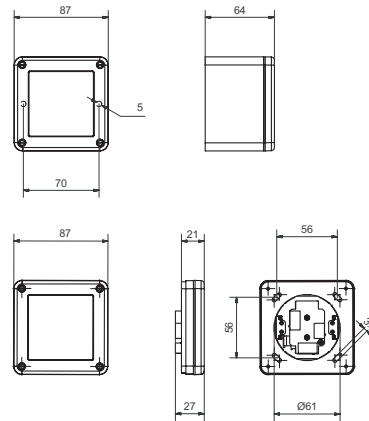
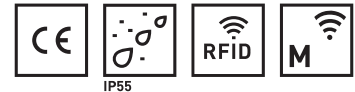


82400 E-reader RFID/code remote

Surface-mounted/flush-mounted for outdoors



Product profile

RFID/code reader for outdoor use. The reader are available as Feller (IP55) design.

Standard version

- Identification via RFID Mifare DESfire EV 1 (ISO 14443A) and code
- Glutz Wireless Access communication (868 MHz) or RS485 bus
- Feller Design
- Surface-mounted/flush-mounted 1-piece
- Dimensions 87 x 87 mm
- Mains operation (12-24 Vdc), power consumption: max. 150 mA at 12V, 75 mA at 24 V
- 2x relay changeover contacts, potential-free, 0-30 V max. 1 A
- 2x inputs, galvanically isolated, 5-27 Vdc

Scope of supply

- E-reader
- Quick guide

Important note

E-reader only operated with regulated direct current!

82400 · ① · ② · ③ · ④

① Power supply	② AP-housing	③ UP Frame	④ Front
11 External, bus	10 Black IP55	00 No UP Frame	10 Black IP55
	11 White IP55	10 Black IP55	11 White IP55
	00 No AP-Housing	11 White IP55	