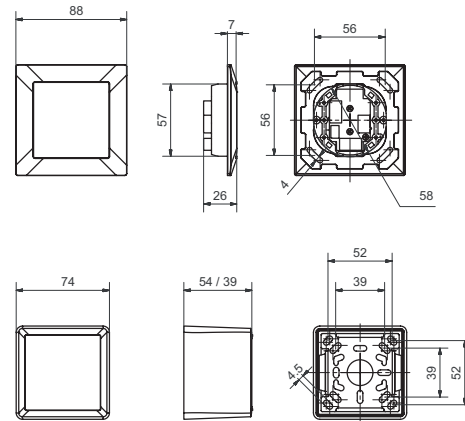


## 82200 E-reader RFID/code remote

Surface-mounted/flush-mounted for indoors



### Product profile

RFID/code reader for indoor use.

The E-readers are available in attractive Feller EDIZIOdue (IP40) and can be combined with all switches, sockets and frames from the Feller assortment

### Standard version

- Identification via RFID Mifare DESfire EV 1 (ISO 14443A) and code
- Communication: Glutz Wireless Access (868 MHz); RS485 bus
- Feller Design IP40
- Surface-mounted 1-piece, dimensions 74 x 74 mm, 39/54 mm high
- Flush-mounted 1-piece, dimensions 88 x 88 mm (plastic), 94 x 94mm (others)
- Mains operation (12-24VDC), power consumption: max. 150mA at

12V, 75mA at 24V

- 2 relay changeover contacts, potential-free, 0-30 V max. 1 A
- 2 inputs, galvanically isolated, 5-27 V DC

### Scope of supply

- E-reader
- Quick guide

### Important note

E-reader only operated with regulated direct current!

### 82200 · ① · ② · ③ · ④

#### ① Power supply

11 External, bus

#### ② AP-housing

- 60 Black IP40 (54 mm)
- 61 White IP40 (54 mm)
- 30 Black IP40 (39 mm)
- 31 White IP40 (39 mm)
- 00 No AP-Housing

#### ③ UP Frame

- 00 No UP Frame
- 60 Plastic black IP40
- 61 Plastic white IP40
- 70 Satin stainless steel IP40
- 71 Polished stainless steel IP40
- 82 Black gold polished IP40
- 81 Aluminium white IP40
- 90 Glass white IP40

#### ④ Front

- 60 Black IP40
- 61 White IP40