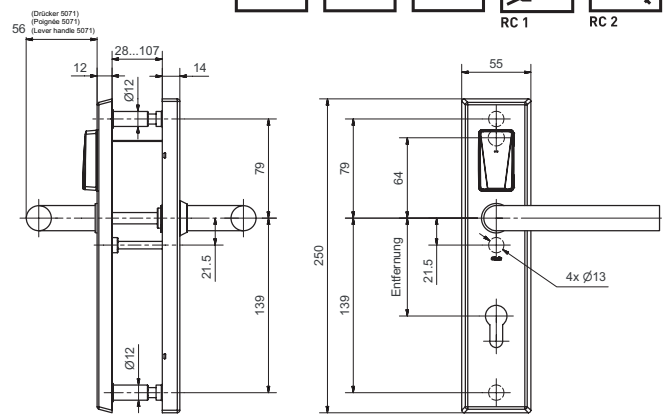
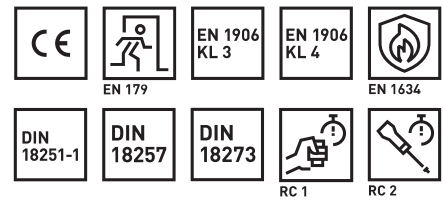


## 80260 E Protection Fitting

Public - ES3



### Product profile

Battery-operated electronic security plate for interior and exterior solid-leaf doors. Opening and closing from outside take place with contact reading of the RFID-medium. Door opening is always assured with the interior lever handle; EN179-compliant with suitable lever handle.

### Standard version

- For DIN left-hand/right-hand doors
- Identification via RFID Mifare DESfire EV 1 (ISO 14443A)
- Programming via media or wireless access (868 MHz)
- Exterior lever handle engaged, lever handle blocked

### Scope of supply

- E-fitting, square spindle, handle lever pair, screw set
- 4 x AAA lithium battery
- Quick guide

### Standards

- Tested: DIN 18257-ES3-L-ZA (2003-03)
- EN 1906 burglary resistance class 4 (2002-05)
- Applicable for burglary-resistant doors according to EN 1627 - 1630, WK 4 (1999-01)

### 80260 · 1 · 2 · 3 · 4 · 5 · 6 · 7 · 8 · 9

1 Power supply	2 Cut-out outs.	3 Cut-out ins.	4 Distance	5 Lever handle design	6 Square spindle	7 Surface	8 Door thickness	9 Protection rose
00 Lithium Battery	0 Blind	00 Blind	11 5057 Thun	8 8 mm	00 Satin stainless steel	11 28 to 37 mm	00 Blind	
11 External, bus	2 RZ	70 70 mm	12 5062 New Orleans	5 8,5 mm	11 Polished stain. steel	12 38 to 47 mm	41 ES 1+3 ZA 9-16 mm	
	3 PZ	72 72 mm	13 5064 Oslo	9 9 mm	22 Polished brass	13 48 to 57 mm		
	4 PRZ	74 74 mm	14 5066 Savannah		33 Satin brass	14 58 to 67 mm		
		78 78 mm	15 5071 Memphis		44 Anti-bacterial	15 68 to 77 mm		
		85 85 mm	16 5087 Basel		51 RAL 9005 black matt	16 78 to 87 mm		
		88 88 mm	17 5098 Olten		55 Wrought iron look	17 88 to 97 mm		
		90 90 mm	18 5038 Lugano		99 Spec. execution	18 98 to 107 mm		
		92 92 mm	35 5040 Merkur					
		94 94 mm	37 50040 Merkur					
			40 50070 Appenzell					
			41 50071 Appenzell					
			99 Spec. execution					

RZ: 74, 78, 90, 94 mm; PZ: 70, 72, 78, 85, 88, 90, 92 mm; PRZ: 74, 78, 90, 94 mm