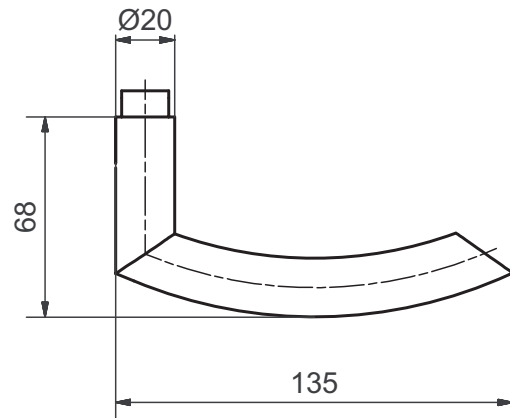


5052 Biel

Stainless steel lever handle



Picture shows handle with 5620C rose

Product profile

Commercial buildings, administrative centres and superior quality residential developments

Standard version

Satin stainless steel surface
 Lever handle length 135 mm, Ø 20 mm
 Projection 68 mm
 Prepared for fixed mobile mounting with easyfix
 Steel galvanised square spindle
 16-mm Glutz glide bearing, tested for 2.5 million cycles

Options

16-mm twin bearing with easyfix (fixed mobile)

Important note

To achieve usage class 4 in accordance with EN 1906, a 9-mm steel or 8-mm stainless steel square spindle is needed

5052 · ① · ② · ③ · ④ · ⑤ · ⑥

① Execution	② Guide	③ Square	④ Bolt length	⑤ Square material	⑥ Surface
00 Lochteil	0 glide	80 8 mm	00 Without	0 Without	00 Stainless steel matt
10 Stifteil	1 twin glide	85 8,5 mm	06 84 mm	1 Galvanized steel	11 Stainless steel polished
50 Paar		90 9 mm	12 109 mm	2 Stainless steel	44 Antibacterial
			99 Auf Anfrage		51 RAL 9005 black matt
					99 On request