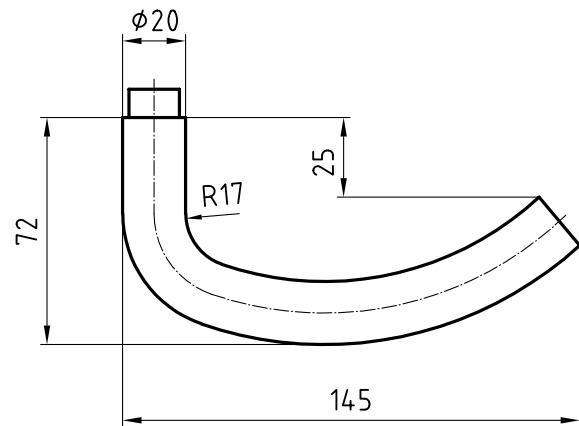


5062 New Orleans

Stainless steel lever handle



Picture shows handle with 5620C rose

Product profile

Commercial buildings, administrative centres and superior quality residential developments

Standard version

Lever handle Length: 145 mm, Ø 20 mm
 Projection: 72 mm
 Square spindle 8 mm
 Satin stainless steel
 16 mm guide for Glutz glide / easyfix

Options

Polished stainless steel
 RAL lacquered
 PVD lacquered
 Square spindle 8,5 mm or 9 mm

With ball end

16 mm guide for Glutz twin glide

Version for narrow stile doors

Category of use class 4, EN 1906: 2002-05

5062 · 1 · 2 · 3 · 4 · 5 · 6

1 1021_Ausführung	2 Guide	3 1020_Vierkant	4 1022_Stiftlänge	5 1312_Material Vierkant	6 Surface
00 Lochteil	0 glide	80 8 mm	00 00	0 ohne Vierkant	00 Stainless steel matt
10 Stiftteil	1 twin	85 8,5 mm	06 84 mm	1 Stahl verzinkt	11 Stainless steel polished
50 Paar		90 9 mm	12 109 mm	2 Edelstahl	44 Antibacterial
			17 130 mm		51 RAL 9005 black matt
			99 Auf Anfrage		99 On request