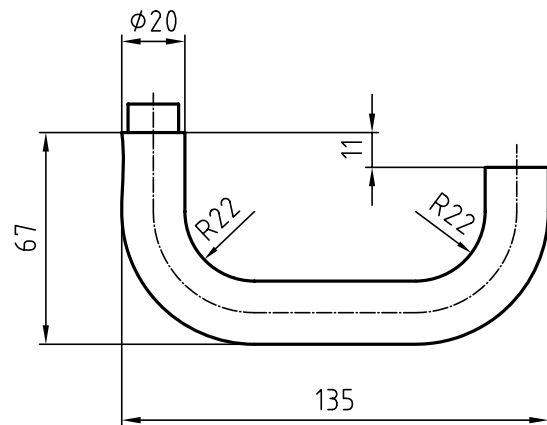


## 30.010 Topaz

Stainless steel lever handle



Picture shows handle with 5632C rose



### Product profile

The handle sets of the Topaz line are particularly well suited for use on doors low frequency of use, such as in residential developments for room doors.

### Standard version

Lever handle length 135 mm, Ø 20 mm  
Projection 67 mm  
Satin stainless steel  
Matching handle brass  
Square spindle 8 x 84 mm

### Package

10 Pairs

### Standards

Category of use class 3, EN1906: 2010